

### Duo Clamp SRS with Lining

Group: 1225

#### Application

Two-piece pipe clamp with double thread connection (M8/M10) and sound absorption lining for the installation of pipelines. Applicable for sound-absorbed installations according to DIN 4109 specifications.

#### Scope of delivery

Supplied with two bolts partially mounted on one side and therefore ready for immediate installation. The clamping bolt on the open side is retained by a plastic washer, thus preventing any accidental unscrewing.

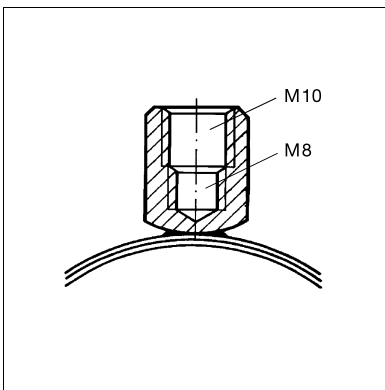
#### Technical Data

Size [mm]	Working load (tension)	Tightening torque [Nm]
12 - 64	0.45 kN	2
67 - 108	0.90 kN	2
110 - 219	1.00 kN	2

Material:

Clamp: Steel, electro-galvanised

Sound absorption lining: SBR/EPDM (black)



Size range [mm]	NB	Material W x th [mm]	W [kg]	Quantity [pack]	Part number
12 - 15	1/4"	20 x 1.5	0.05	100	<b>159368</b>
15 - 19	3/8"	20 x 1.5	0.05	100	<b>159377</b>
20 - 23	1/2"	20 x 1.5	0.06	100	<b>159386</b>
25 - 28	3/4"	20 x 1.5	0.06	100	<b>159395</b>
32 - 35	1"	20 x 1.5	0.07	100	<b>159401</b>
40 - 45	1 1/4"	20 x 1.5	0.09	50	<b>159614</b>
48 - 52	1 1/2"	20 x 1.5	0.09	50	<b>159623</b>
52 - 58		20 x 1.5	0.10	50	<b>179003</b>
60 - 64	2"	20 x 1.5	0.11	50	<b>159632</b>
67 - 72		25 x 2.0	0.19	25	<b>179012</b>
73 - 80	2 1/2"	25 x 2.0	0.20	25	<b>159641</b>
81 - 87		25 x 2.0	0.21	25	<b>192665</b>
86 - 91	3"	25 x 2.0	0.21	25	<b>159650</b>
102 - 108		25 x 2.0	0.25	25	<b>179021</b>
110 - 115	4"	25 x 2.5	0.30	25	<b>159669</b>
120 - 128		25 x 2.5	0.34	25	<b>191459</b>
135 - 143		25 x 2.5	0.37	25	<b>191477</b>
149 - 161		25 x 2.5	0.39	25	<b>191486</b>
162 - 170		25 x 2.5	0.40	25	<b>191468</b>
198 - 207		25 x 2.5	0.48	25	<b>191495</b>
207 - 219		25 x 2.5	0.52	25	<b>191504</b>